

Green Beacons and Seatbelts



Originally introduced for doctors on emergency calls, green beacons are now also commonly seen on many plant and construction vehicles working off-road. Many companies are choosing to install a seatbelt kit that incorporates wiring into their vehicles which causes a green beacon to illuminate when the seatbelt is fastened. This enables site managers to see at a distance if a driver/operator does not have their belt fastened and so contravening site or company health and safety policy.

At the moment there are no exact or standardised regulations in place. Some companies specify only the seatbelt and beacon, but others insist on fitting an in-cab buzzer and/or a warning lamp to alert and remind the operator of his seatbelt status. Wood Auto has a full range of seatbelts, warning lamps, internal buzzers, and a large selection of green beacons with a variety of illumination, bases, and flash patterns.

Green Beacons



BEA1000G
Ø130mm H:203mm
Rotating Single Point



BEA1001G
Ø153mm H:175mm
Rotating Three Point



BEA1002G
Ø153mm H:175mm
Rotating Magnetic



BEA1003G
Ø130mm H:228mm
Rotating DIN



BEA1004G
Ø130mm H:280mm
Rotating DIN Flexi



BEA1100G
Ø130mm H:203mm
Xenon (7W) Single Point



BEA1101G
Ø153mm H:194mm
Xenon (7W) Three Point



BEA1102G
Ø153mm H:194mm
Xenon (7W) Magnetic



BEA1103G
Ø130mm H:228mm
Xenon (7W) DIN



BEA1104G
Ø130mm H:280mm
Xenon (7W) DIN Flexi



BEA1200G
Ø108mm H:130mm
Xenon (2W) Single Point



BEA1204G
Ø150mm H:130mm
Xenon (2W) Three Point



BEA1202G
Ø108mm H:171mm
Xenon (2W) DIN



BEA1203G
Ø108mm H:223mm
Xenon (2W) DIN Flexi



BEA1201G
Ø150mm H:130mm
Xenon (2W) Magnetic



BEA1303G
Ø108mm H:130mm
Xenon (2W) Single Point



BEA1301G
Ø150mm H:130mm
Xenon (2W) Three Point



BEA1302G
Ø129mm H:90mm
Xenon (2W) Three Point



BEA1300G
Ø98mm H:132mm
Xenon (2W) Two Point



BEA1250G
Ø108mm H:130mm
Xenon (6W) Single Point



BEA1251G
Ø150mm H:130mm
Xenon (6W) Three Point



BEA1252G
Ø150mm H:130mm
Xenon (6W) Magnetic



BEA1253G
Ø108mm H:171mm
Xenon (6W) DIN



BEA1254G
Ø108mm H:223mm
Xenon (6W) DIN Flexi



BEA1350G
Ø108mm H:130mm
MV Xenon (6W) Single Point



BEA1351G
Ø150mm H:130mm
MV Xenon (6W) Three Point



BEA1346G
Ø77mm H:45mm
Xenon Strobe



BEA1390G
Ø128mm H:200mm
LED Single Point



BEA1392G
Ø140mm H:160mm
LED Three Point/Magnetic



BEA1394G
Ø128mm H:245mm
LED DIN Flexi

Green Warning Lights and Pilot Lights



BRIL55.04.DV
W: 115mm D:45mm H:25mm
3 LED Warning Light



BRIL57.04.DV
W: 150mm D:57mm H:30mm
32 LED Warning Light



VIDED0001G
W: 73mm D:31mm H:73mm
4 LED Warning Light



WL1000G (12V)
WL1010G (24V)
12mm Pilot



WL1100G
18mm Pilot



WL1020G
8mm LED Pilot (12V only)



LEDPLG12 (12V)
LEDPLG24 (24V)
12mm LED Pilot



Green Beacons & Seatbelts

Beacon DIN Mounts



BEA2010
Bolt mount



BEA2011
Vertical bracket mount



BEA2012
Horizontal bracket mount



BEA2013
Side bracket mount

Mini Interior Buzzers



REH1400
12V, Black



REH1401
24V, Red

High Visibility Wired Seatbelts

Wood Auto offers a range of high-visibility seatbelts with wired receptacles. All the receptacles use an internal micro switch capable of 2A at 12V and 1A at 24V. The switches use three wires: a common white, a N.O. black (circuit is closed when the belt is fastened) and a N.C. red (circuit is opened when the belt is fastened).

Most LED and xenon beacons can simply be wired in using a 5A fused ignition positive supply and earth switched through the seat belt receptacle wiring. A standard 12V halogen rotating beacon draws 4.6A at 12V or 3.0A at 24V, and so it is recommended to "switch negative" from the seat belt switch and to always install the correct cable sizes, relay, and fuses to accommodate the type of beacon used. It is possible to "switch positive" from the seat belt switch but it is strongly recommended that a relay is installed within the circuit.

All belts conform to ECE Regulation 16.



SBK1000
Wired receptacle and
20cm orange strap



SBK1010
Wired receptacle
Without strap



SBK1020
Wired receptacle and
retractable orange safety belt



SBK1030
Wired receptacle and
orange lap belt

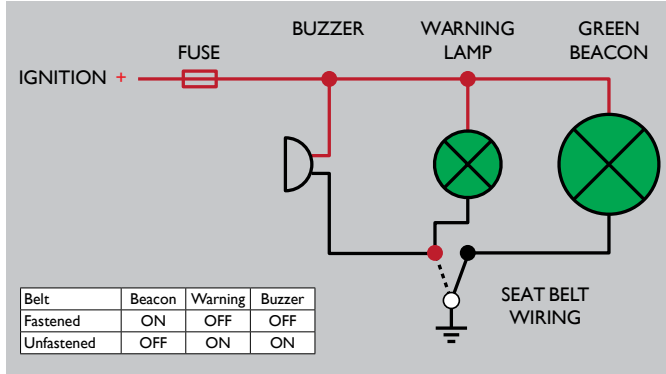


Green Beacons & Seatbelts

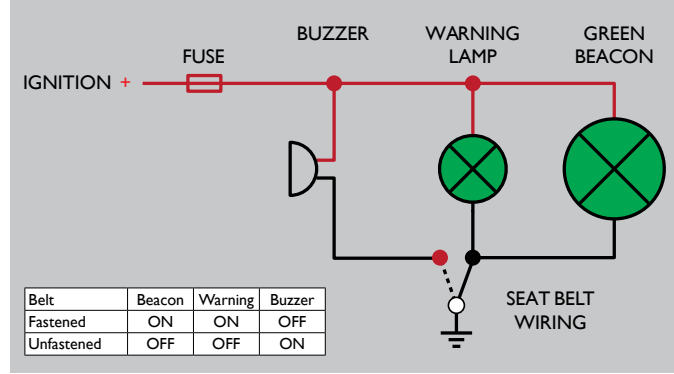
Suggested Wiring Configurations

The A, B, and C configurations can be used with most LED and xenon beacons. The fuse rating is dependent on the type of beacon used.

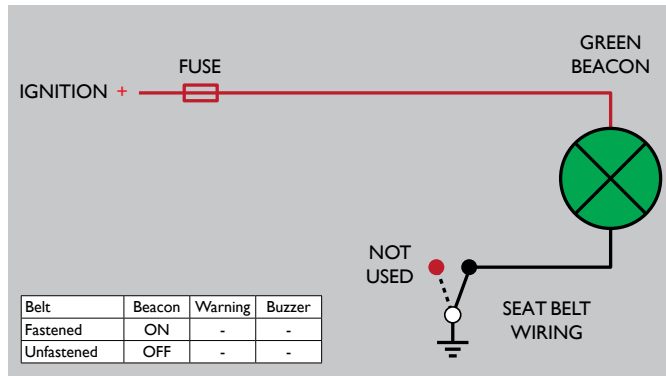
CONFIGURATION A



CONFIGURATION B



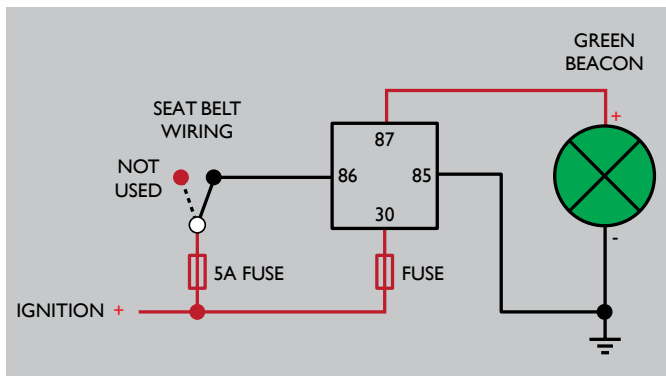
CONFIGURATION C



Relay Switching Configurations

These are the recommended configurations when using halogen rotating beacons. We recommend using RLY1025 (12V) or RLY1026 (24V) as they have built-in fuse holders. Please check the current draw of the beacon used to determine the fuse ratings.

SWITCHING POSITIVE



SWITCHING NEGATIVE

